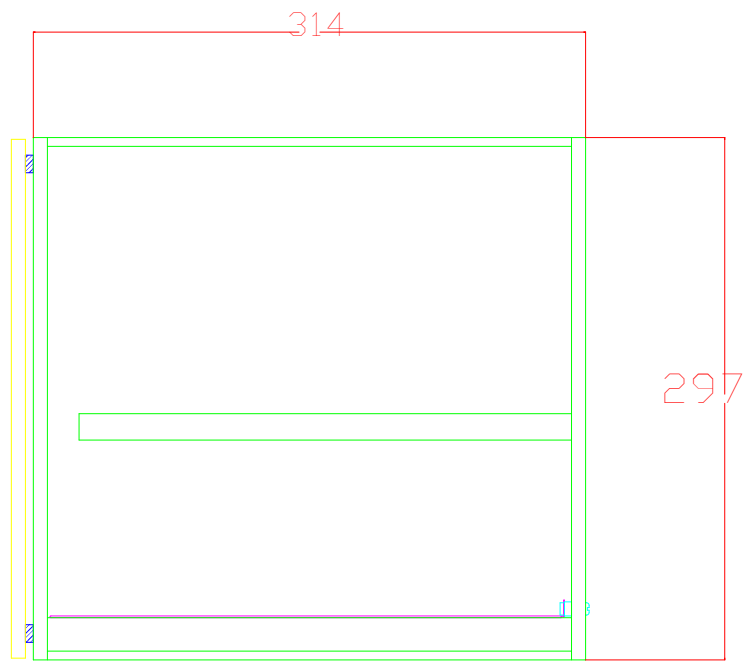


3100-01 Front elevation



3100-01 Side elevation